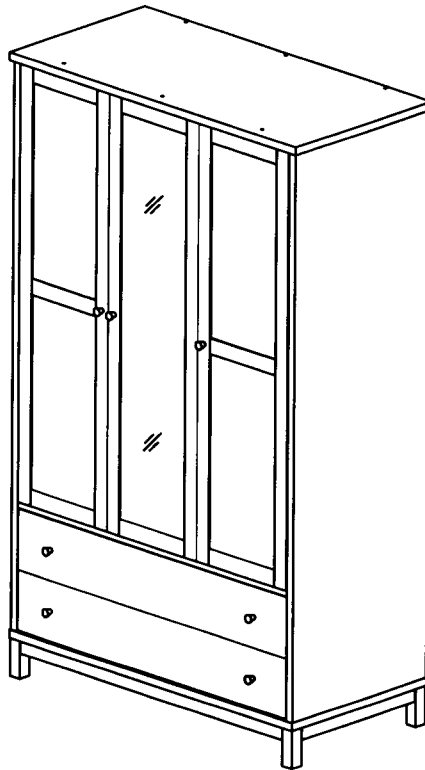


ATLANTA TRIPLE WARDROBE

Stock number: 480X-83

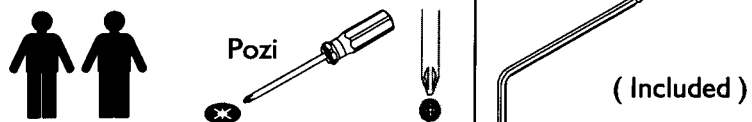
Thank you for purchasing this product. Please read the instructions carefully before use to ensure safe and satisfactory operation of this product.



Pre-assembly preparation

Please ensure instructions are read in full before attempting to assemble this product.

Necessary Tools



Please check the pack contents before attempting to assemble this product. A full checklist of components is given in this leaflet. If any components are missing, please contact the retailer from whom you bought this product.

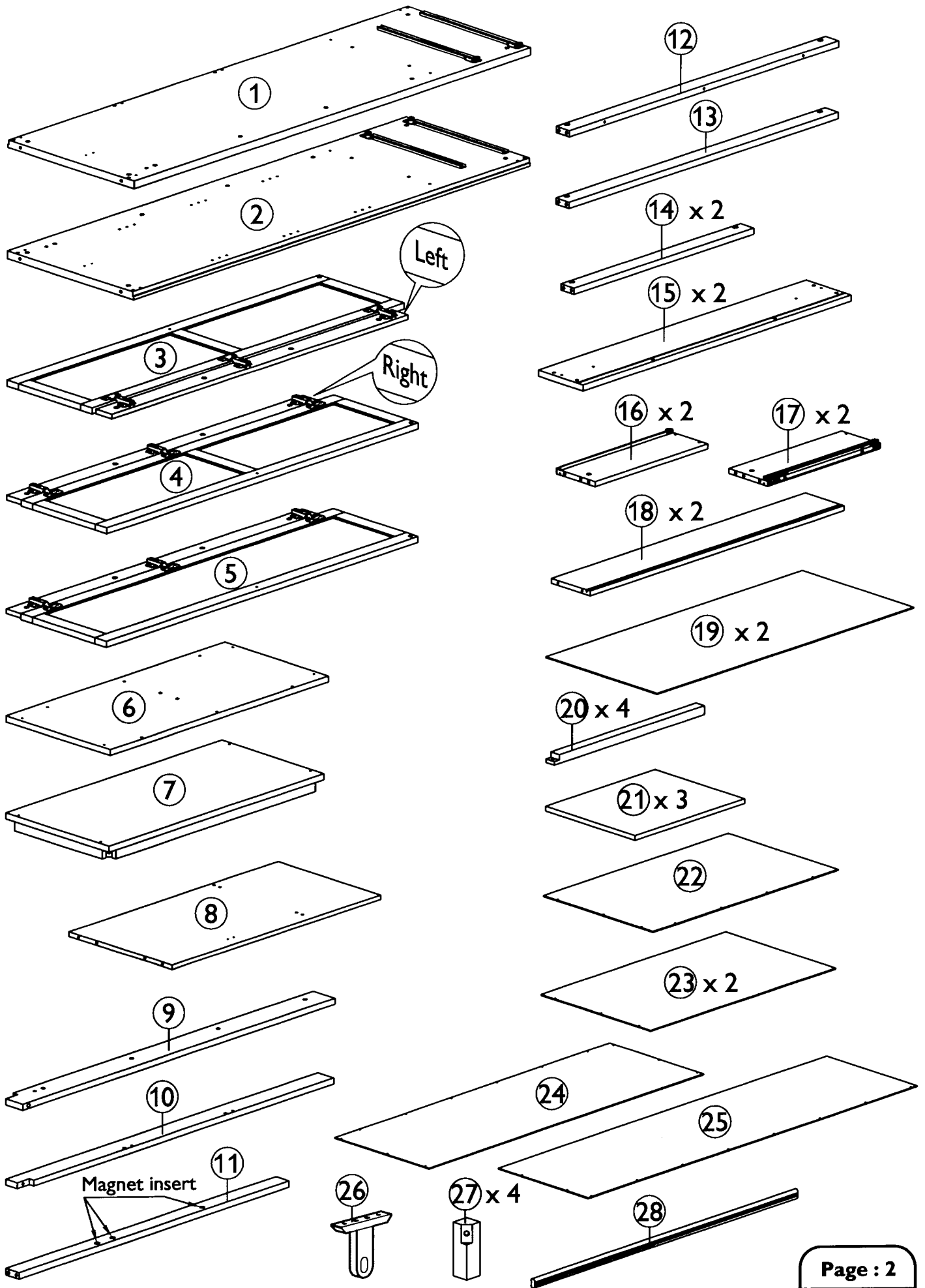
This product takes approximately **120 MINUTES** to assemble with **2 PEOPLE**.

All assembly should be performed on a flat, stable, clean and soft surface.

This product is **HEAVY**, it should be assembled as near as possible to the point of use. **TAKE CARE WHEN LIFTING** to avoid personal injury and (or) damage to the product

The fitting pack contains **SMALL ITEMS** which should be **KEPT AWAY FROM YOUNG CHILDREN**.


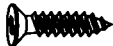
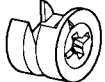
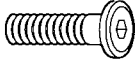
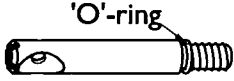

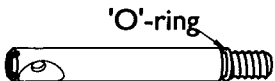





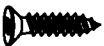



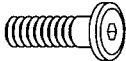




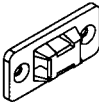





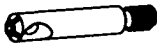

IMPORTANT: Retain these instructions for future reference.



Parts checklist

Item	Description	Qty.	Item	Description	Qty.
1	Left side panel	x 1	15	Drawer front	x 2
2	Right side panel	x 1	16	Left drawer side	x 2
3	Left door	x 1	17	Right drawer side	x 2
4	Right door	x 1	18	Drawer back	x 2
5	Center door	x 1	19	Drawer bottom	x 2
6	Top panel	x 1	20	Support drawer	x 4
7	Bottom panel	x 1	21	Removable shelf	x 3
8	Fixed shelf	x 1	22	Back panel	x 1
9	Vertical front rail	x 1	23	Back panel	x 2
10	Vertical back rail	x 1	24	Back panel	x 1
11	Top front rail	x 1	25	Back panel	x 1
12	Top back rail	x 1	26	Support rail	x 1
13	Bottom back rail	x 1	27	Leg	x 4
14	Center back rail	x 2	28	Hanger rail	x 1

Fittings checklist

Item	Description	Qty.	Item	Description	Qty.
A	Cam screw Ø7 x 34mm 	x 14	R	Flat head screw Ø2.5 x 12mm 	x 2
B	Cam lock Ø15 x 12.5mm 	x 14	S	Hex head bolt M6 x 30mm 	x 4
C	Steel dowel Ø7 x 49.5mm 	x 4	T	Lock washer 	x 4
D	Steel dowel Ø7 x 70mm 	x 4	U	Large flat washer 	x 4
E	Grub screw Ø8 x 8.5mm 	x 12	V	Hinge cover cap 	x 9
F	Hanger rail support 	x 2	W	Door bumper 	x 1
G	Flat head screw Ø3.5 x 15mm 	x 4	X	Wood shelf support 	x 12
H	Hex head bolt Ø7 x 50mm 	x 10	Y	Dowel Ø8 x 30mm 	x 28
J	Hex head bolt M6 x 25mm 	x 14	Z	Round head screw Ø4 x 30mm 	x 8
K	Allen key 	x 1	aa	Round head screw Ø4 x 15mm 	x 4
L	Handle 	x 7	bb	Mounting plate 	x 2
M	Round head bolt Ø4 x 30mm 	x 7	cc	Nylon strap 	x 1
N	Round head screw Ø3 x 12mm 	x 57	dd	Flat head screw Ø4x15mm 	x 2
P	Small flat washer 	x 22	ff	Steel dowel Ø7 x 49.5mm 	x 4
Q	Door stopper 	x 2			

Step By Step Assembly Instructions

- Step 1**
- 1.1: Attach 14x cam screws (A) into the pre-drilled holes on left and right side panels (1) & (2) and vertical back rail (10) as shown.
 - 1.2: Attach 2x hanger rail supports (F) using 4x flat head screws (G) into side panels (1) & (2) as shown. Use a screwdriver to turn fittings (G) clockwise to fix.
 - 1.3: Insert 1x dowel (Y) to vertical front rail (10) as shown.

Fitting



A x 14



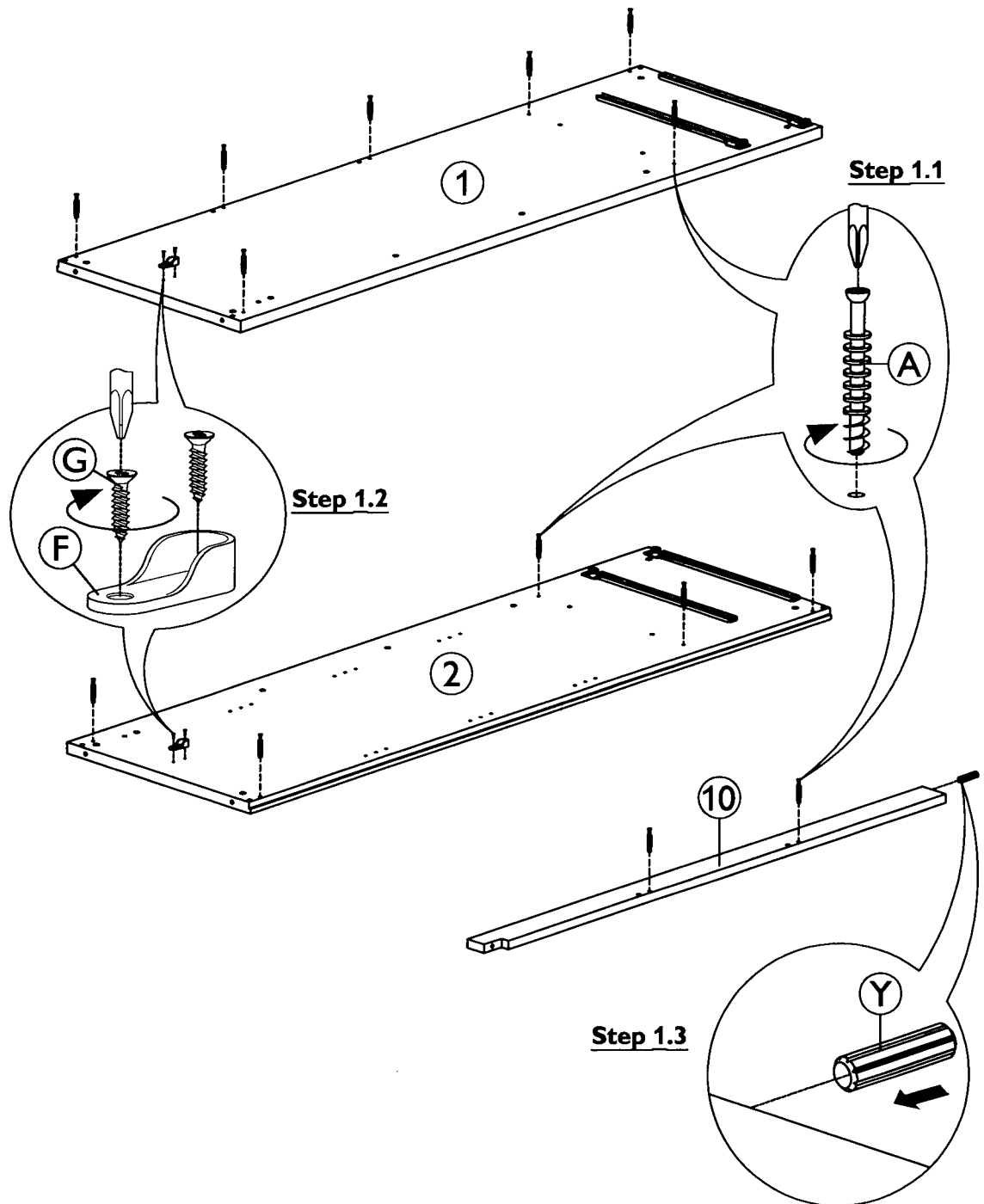
F x 2



G x 4



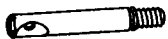
Y x 1



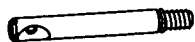
Step By Step Assembly Instructions

- Step 2**
- 2.1 : Attach 4x steel dowels (C) onto top panel (6) by screwing fittings (C) into the inset fittings that are located inside part (6) as shown. Ensure the direction of the holes on fittings (C) are facing correctly as per diagram. Use a pozi screwdriver to turn fittings (C) clockwise to fix.
- 2.2 : Attach 4x steel dowels (D) onto bottom panel (7) by screwing fittings (D) into the inset fittings that are located inside part (7) as shown. Ensure the direction of the holes on fittings (D) are facing correctly as per diagram. Use a pozi screwdriver to turn fittings (D) clockwise to fix.

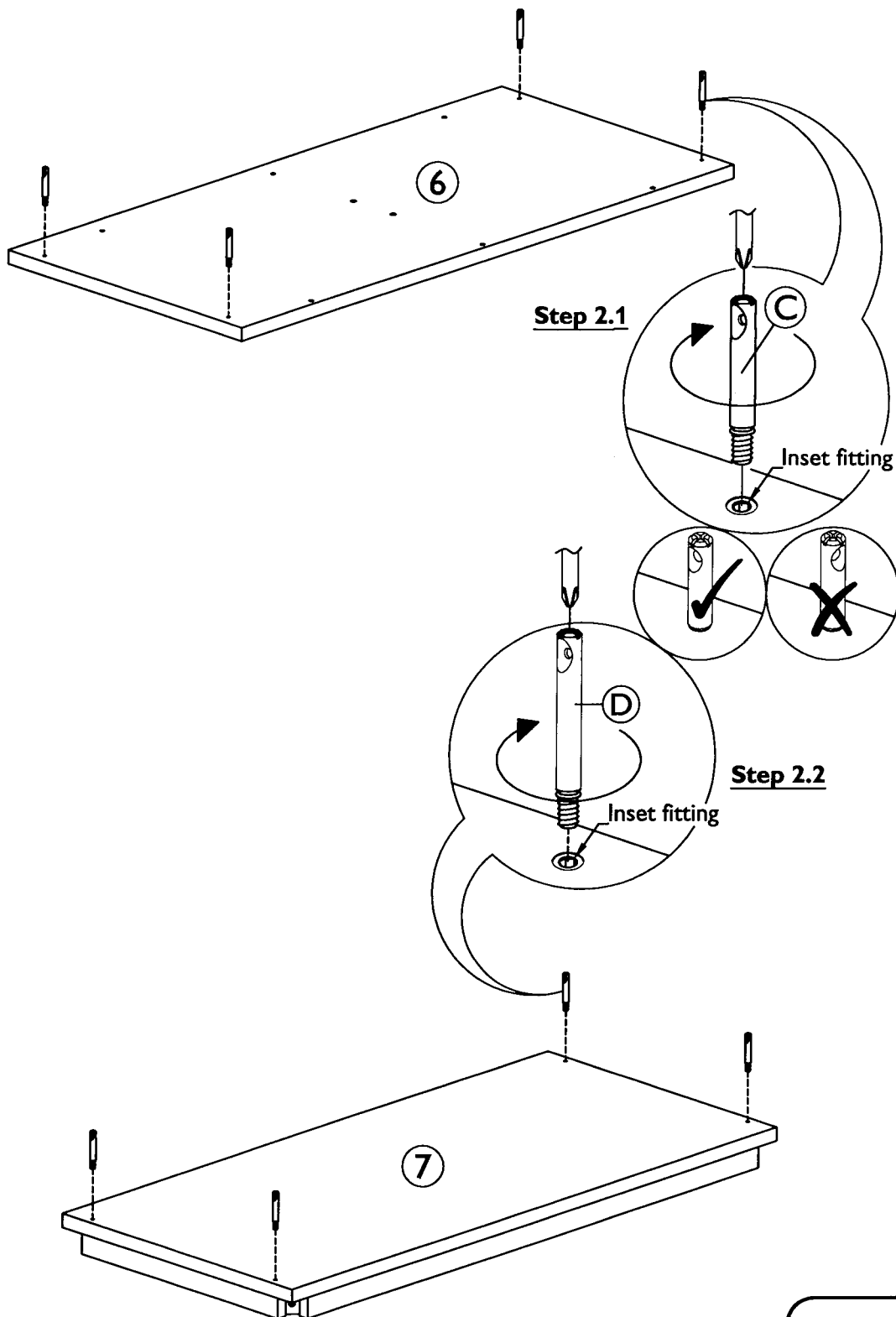
Fitting



C x 4



D x 4



Fittings and parts checklist

- Step 3**
- 3.1: Attach 2x door stopper (Q) onto fixed shelf (8) using 2x flat head screws (R) as shown. Use a screwdriver to turn fittings (R) clockwise to fix.
- 3.2: Insert 15x dowels (Y) into rails (9), (11), (12), (13), (14) and fixed shelf (8) as shown.

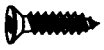
Fitting



Y x 15

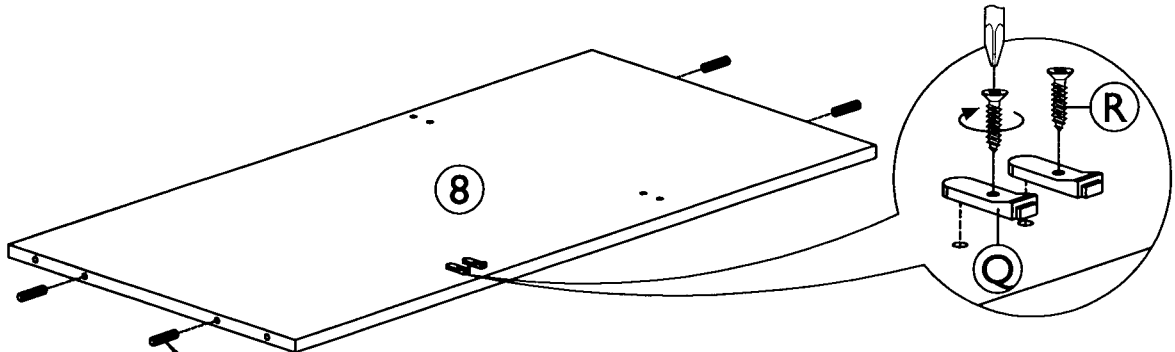


Q x 2

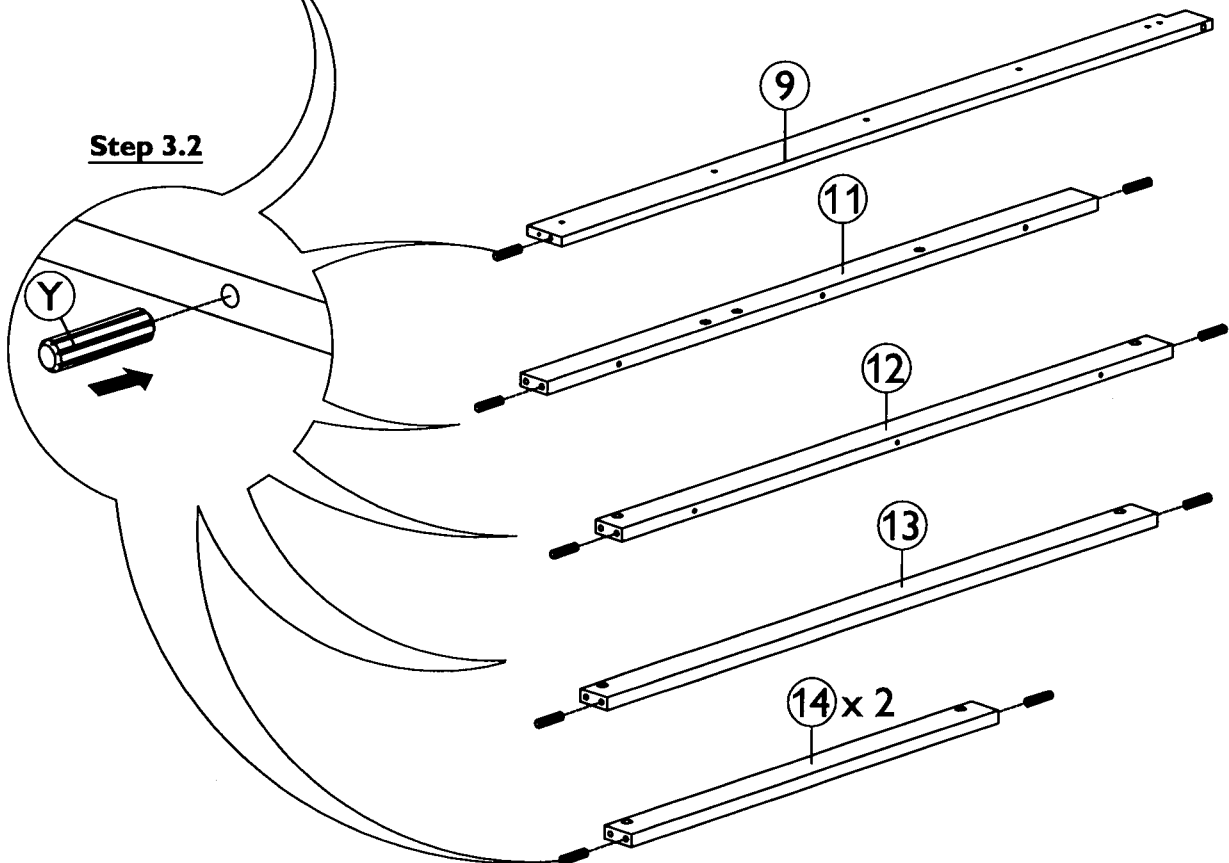


R x 2

Step 3.1



Step 3.2



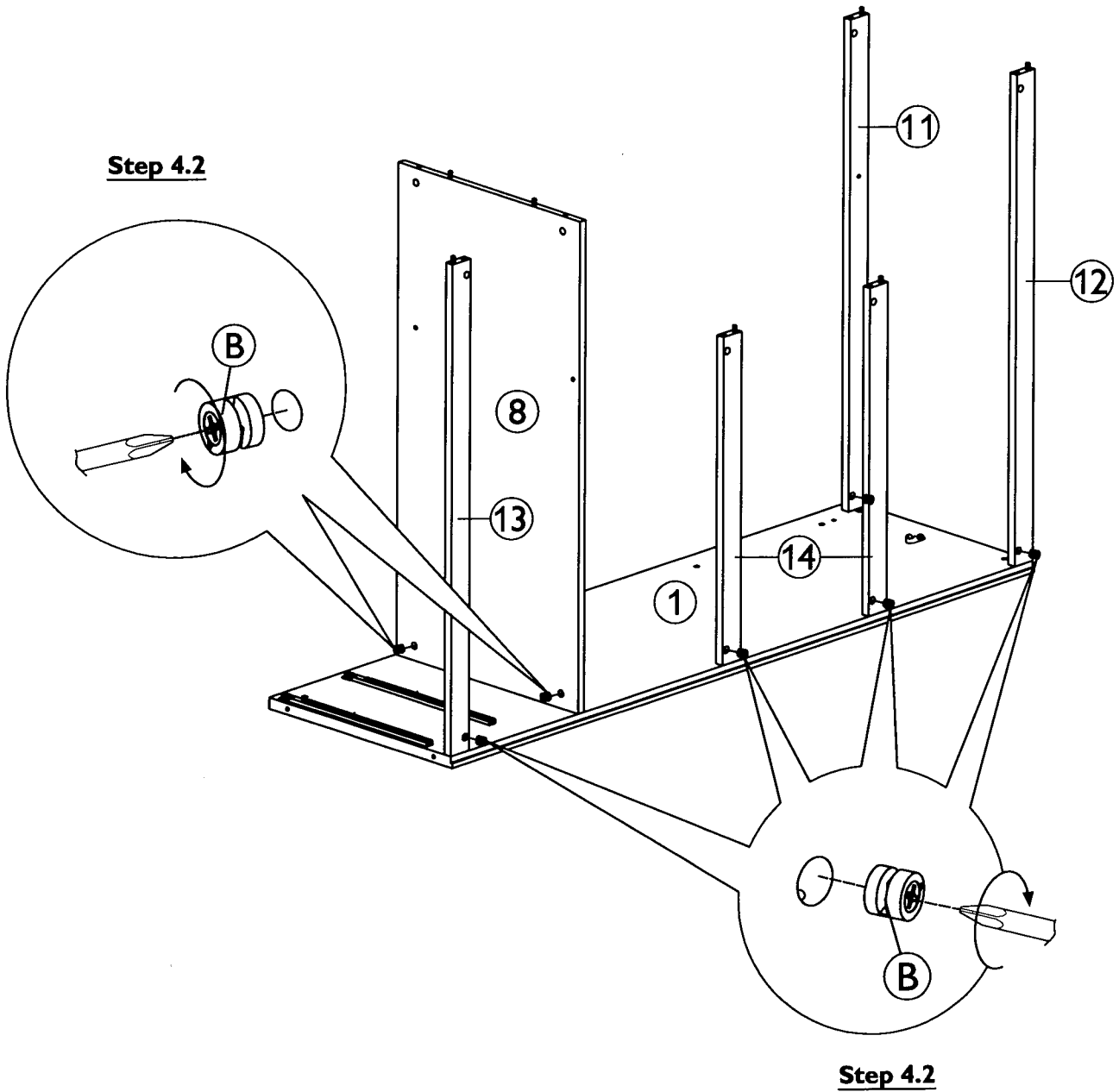
Step By Step Assembly Instructions

- Step 4**
- 4.1: Attach rails (11), (12), (13), (14) and fixed shelf (8) to left side panel (1) as shown. Ensure cam screws (A) and dowels (Y) are aligned correctly with the holes of mating parts before attaching.
- 4.2: Secure all parts (11), (12), (13), (14) and (8) to left side panel (1) using 7x cam locks (B) as shown. Use a screwdriver to turn fittings (B) clockwise to fix.

Fitting



B x 7



Step By Step Assembly Instructions

Step 5

- 5.1: Attach rail (9) to rail (11) and fixed shelf (8) as shown. Ensure dowel (Y) is aligned correctly with the hole of mating parts before attaching.
- 5.2: Secure rail (9) to all parts (8), (11) using 2x hex head bolts (H) as shown. Use allen key (K) to turn fittings (H) clockwise to fix.
- 5.3: Attach rail (10) to rails (12), (14) and fixed shelf (8) as shown. Ensure cam screws (A) and dowels (Y) are aligned correctly with the holes of mating parts before attaching.
- 5.4: Secure rail (10) to rails (14) using 2x cam locks (B) and to parts (8), (11) using 2x hex head bolts (H) as shown. Use a screwdriver to turn fittings (B) and allen key (K) to turn fittings (H) clockwise to fix.

Fitting



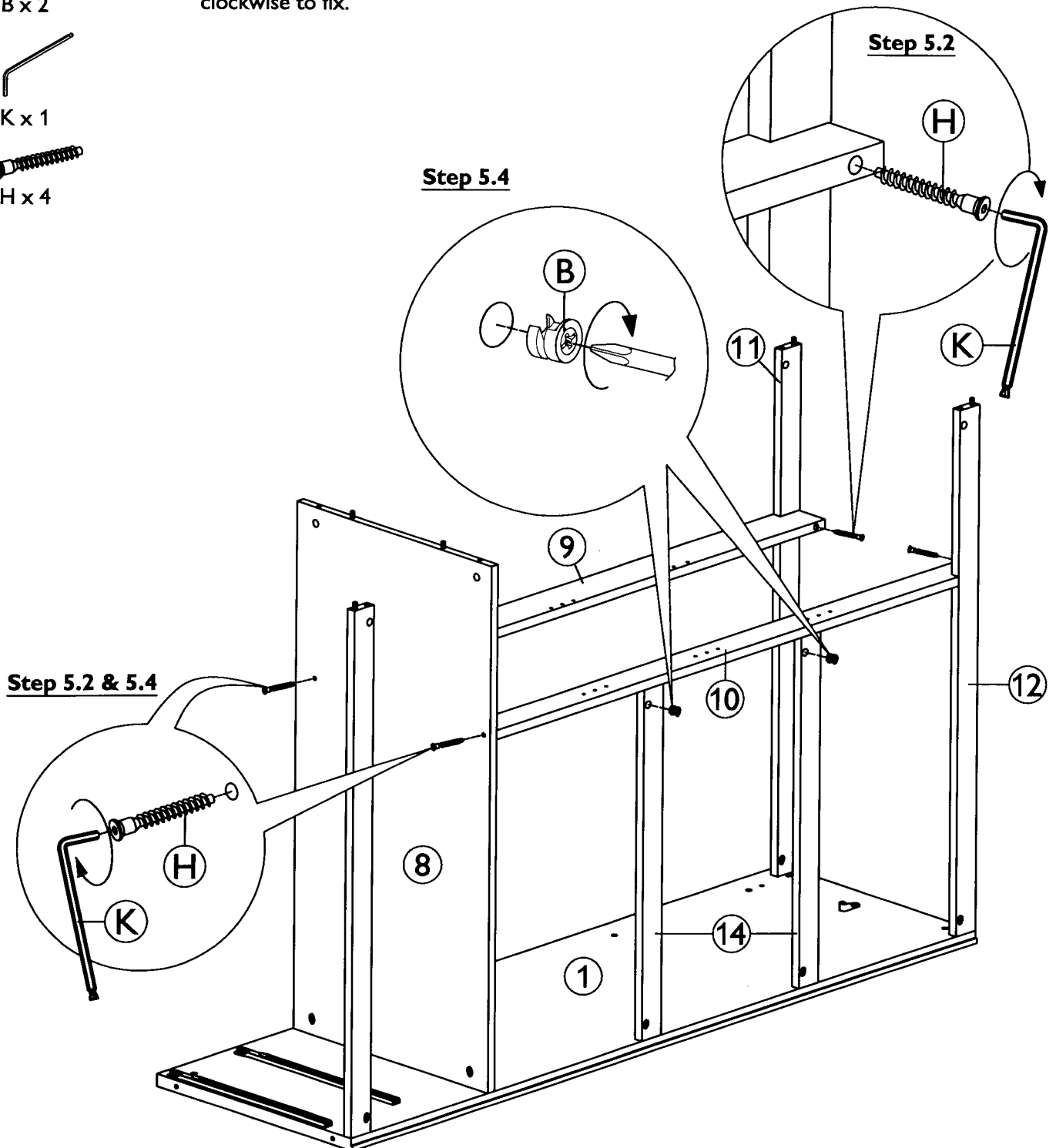
B x 2



K x 1



H x 4



Step By Step Assembly Instructions

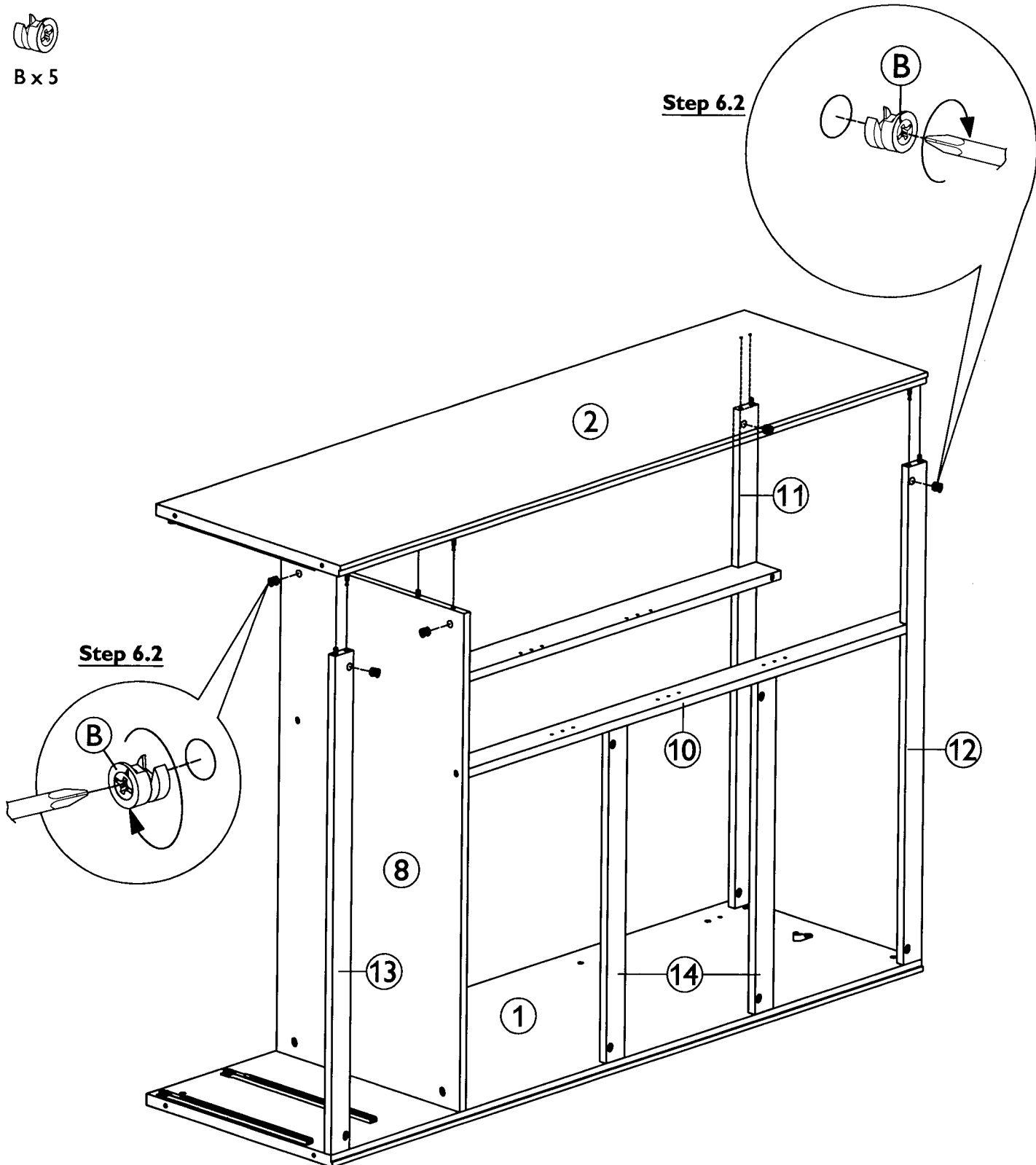
Step 6 6.1: Attach right side panel (2) onto rails (11), (12), (13) and fixed shelf (8) as shown. Ensure cam screws (A) and dowels (Y) are aligned correctly with the holes of mating parts before attaching.

Fitting



B x 5

6.2: Secure right side panel (2) to all parts (8), (11), (12) and (13) using 5x cam locks (B) as shown. Use a screwdriver to turn fittings (B) clockwise to fix.



Step By Step Assembly Instructions

- Step 7**
- 7.1: Attach top panel (6) onto side panels (1), (2) and rails (11), (12) as shown. Ensure steel dowels (C) are aligned correctly with the holes of mating parts before attaching.
- 7.2: Secure top panel (6) to all parts (1), (2), (11) and (12) using 4x grub screws (E) and 6x hex head bolts (H) as shown. Use a screwdriver to turn fittings (E) and allen key to turn fittings (H) clockwise to fix.

Fitting



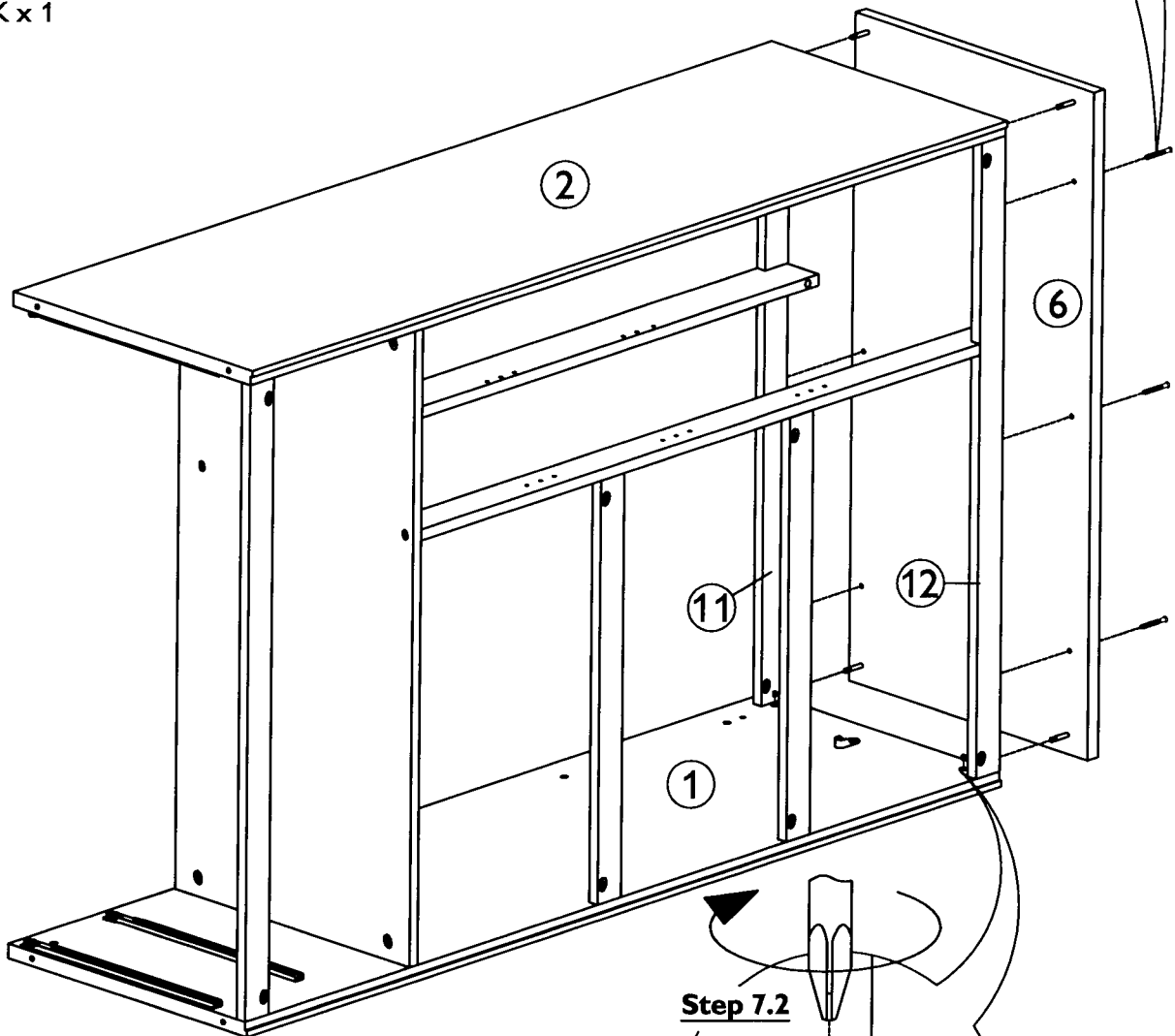
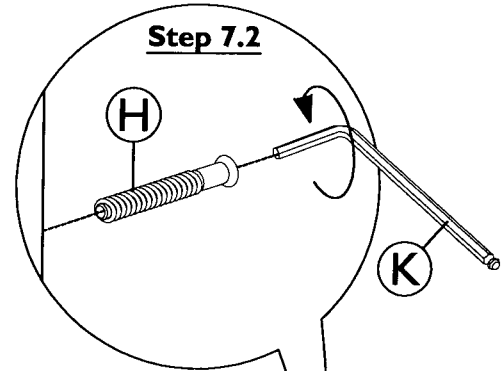
E x 4



H x 6



K x 1



Step 7.2

E

Step By Step Assembly Instructions

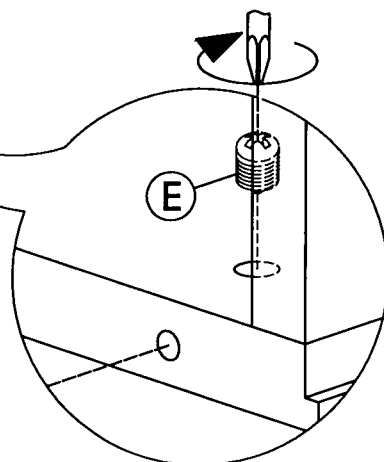
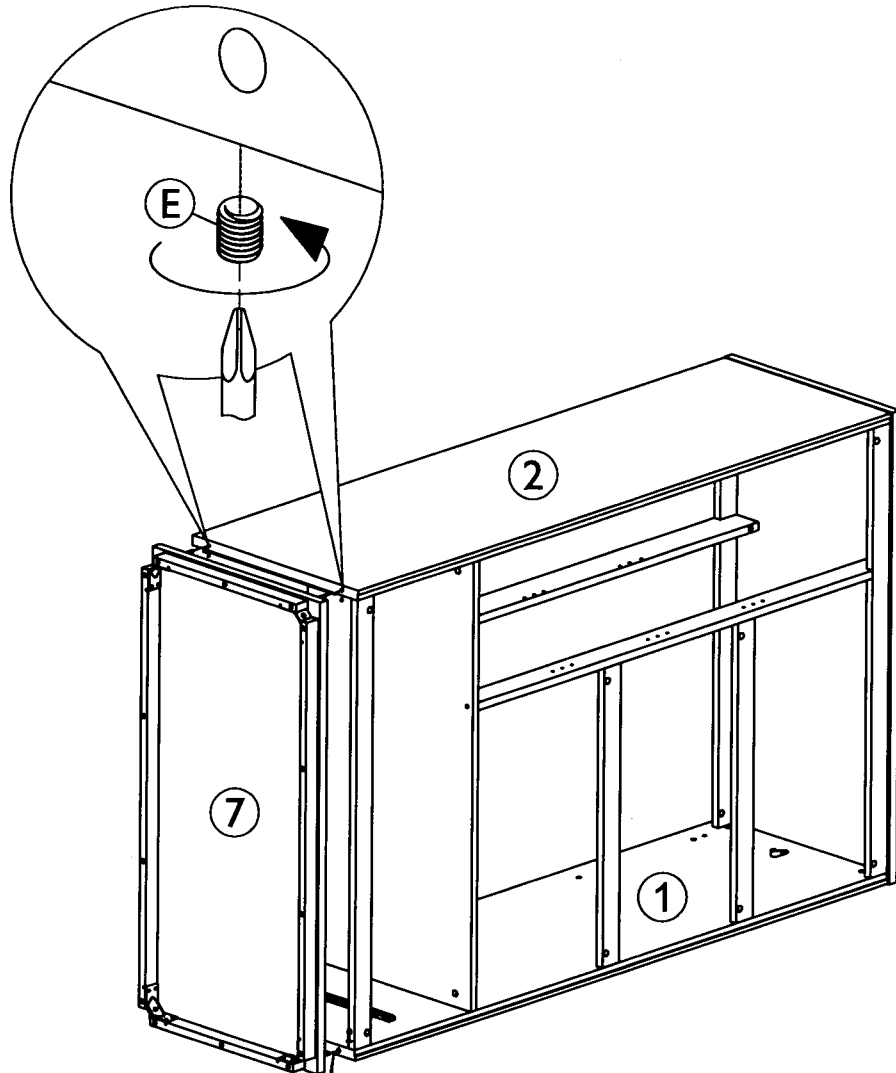
- Step 8**
- 8.1: Attach bottom panel (7) onto side panels (1) & (2) as shown. Ensure steel dowels (D) are aligned correctly with the holes of mating parts before attaching.
- 8.2: Secure bottom panel (7) to all parts (1) & (2) using 4x grub screws (E) as shown. Use screwdriver to turn fittings (E) clockwise to fix.

Fitting



E x 4

Step 8.2



Step 8.2

Step By Step Assembly Instructions

Step 9

- 9.1: Attach leg (27) onto metal corner bracket on bottom panel (7) as shown.
9.2: Insert lock washer (T) and flat washer (U) onto hex head bolt (S), then insert hex head bolt (S) with lock washer (T) and flat washer (U) through the pre-drilled hole on metal corner bracket and into leg (27) as shown. Use allen key (K) to turn fitting (S) clockwise to fix. **Repeat above procedures with the remaining legs (27).**

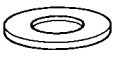
Fitting



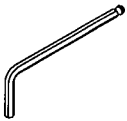
S x 4



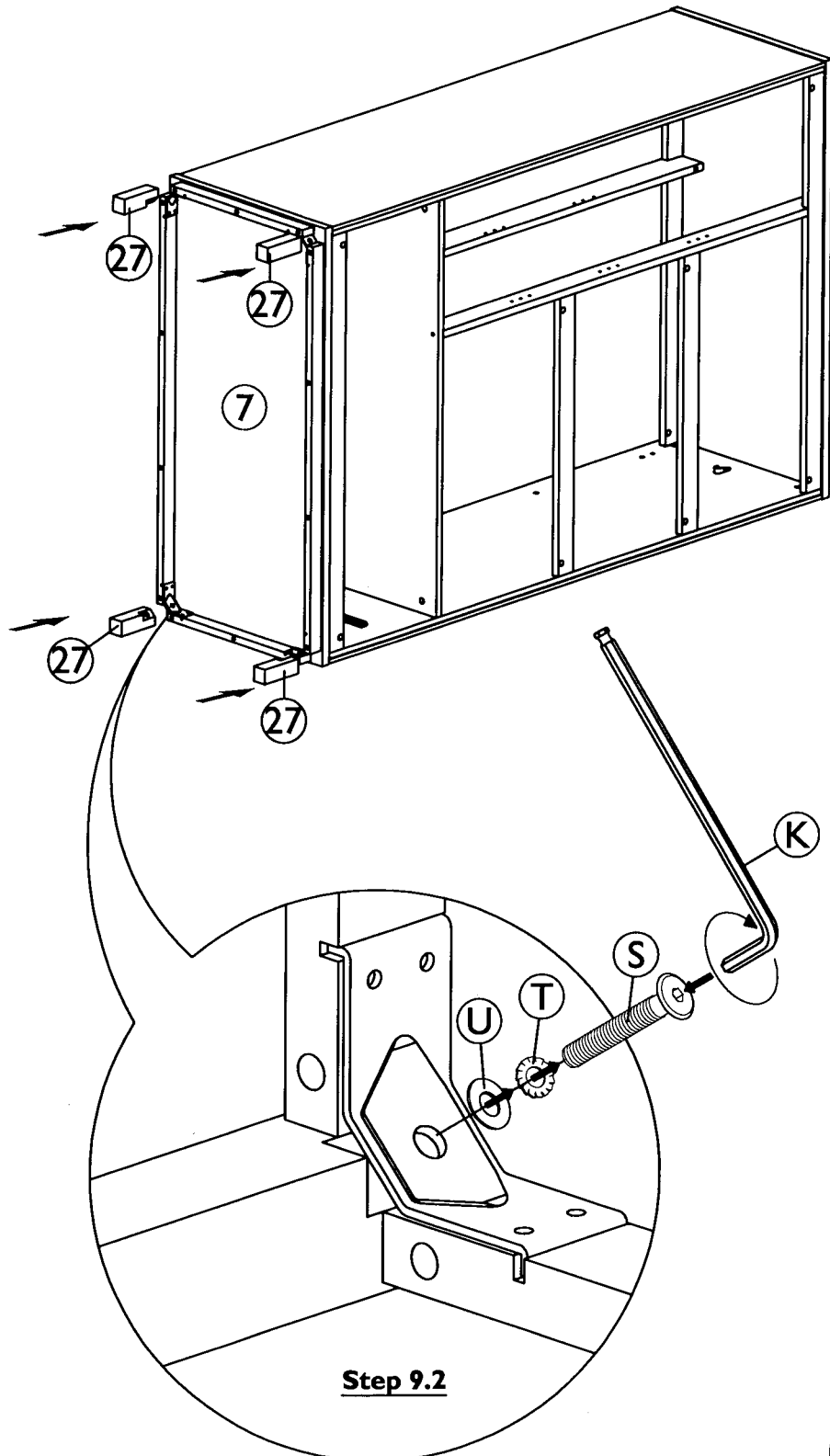
T x 4



U x 4



K x 1



Step By Step Assembly Instructions

Step 10 10.1: Attach back panels (22), (23), (24) and (25) along outer edges onto back side of the unit using 35x round head screws (N) as shown. Use a screwdriver to turn fittings (N) clockwise to fix.

Fitting

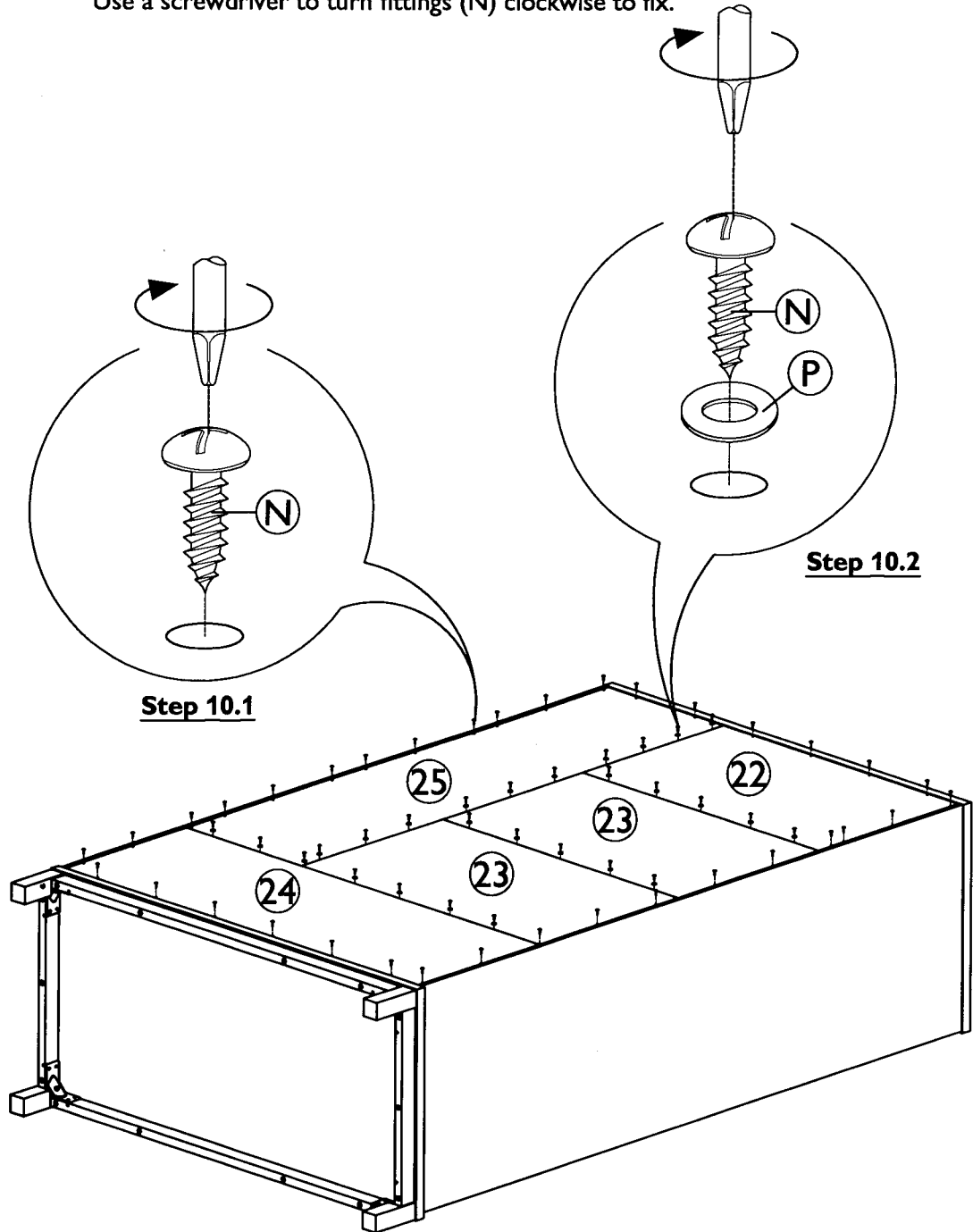


N x 57



P x 22

10.2: Secure gaps using 22x round head screws (N) with 22x flat washers (P) as shown. Use a screwdriver to turn fittings (N) clockwise to fix.



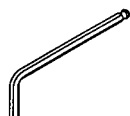
Step By Step Assembly Instructions

- Step 11**
- 11.1: With help of assistant, carefully stand the unit upright.
- 11.2: Insert hanger rail (28) through the pre-drilled hole on support rail (26), then place hanger rail (28) onto hanger rail supports (F) on left and right sides of unit as shown.
- 11.3: Secure support rail (26) to top panel (6) using 2x hex head bolts (J) as shown. Use allen key (K) to turn fittings (J) clockwise to fix.

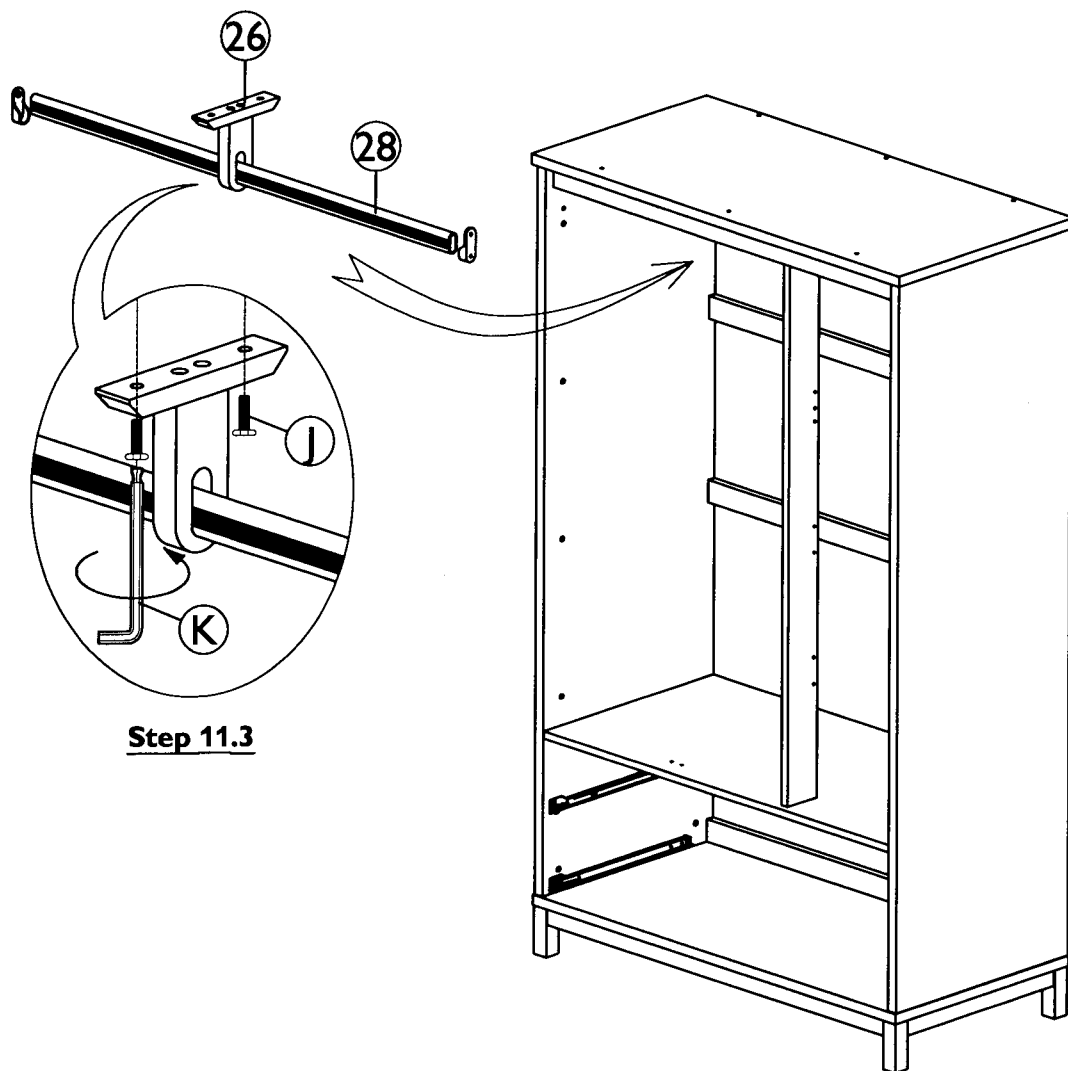
Fitting



J x 2



K x 1

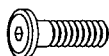


Step 11.3

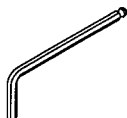
Step By Step Assembly Instructions

Step 12 : Attach doors (3), (4) and (5) to side panels (1), (2) and vertical front rail (9) by screwing 12x bolts (J) into inset fittings that are located on parts (1), (2) and (9) as shown. Ensure the holes on doors (3), (4) and (5) are aligned correctly with the mating spring pin on side panels (1) & (2) and vertical front rail (9) before attaching. Using allen key (K) to turn fittings (J) clockwise to fix.

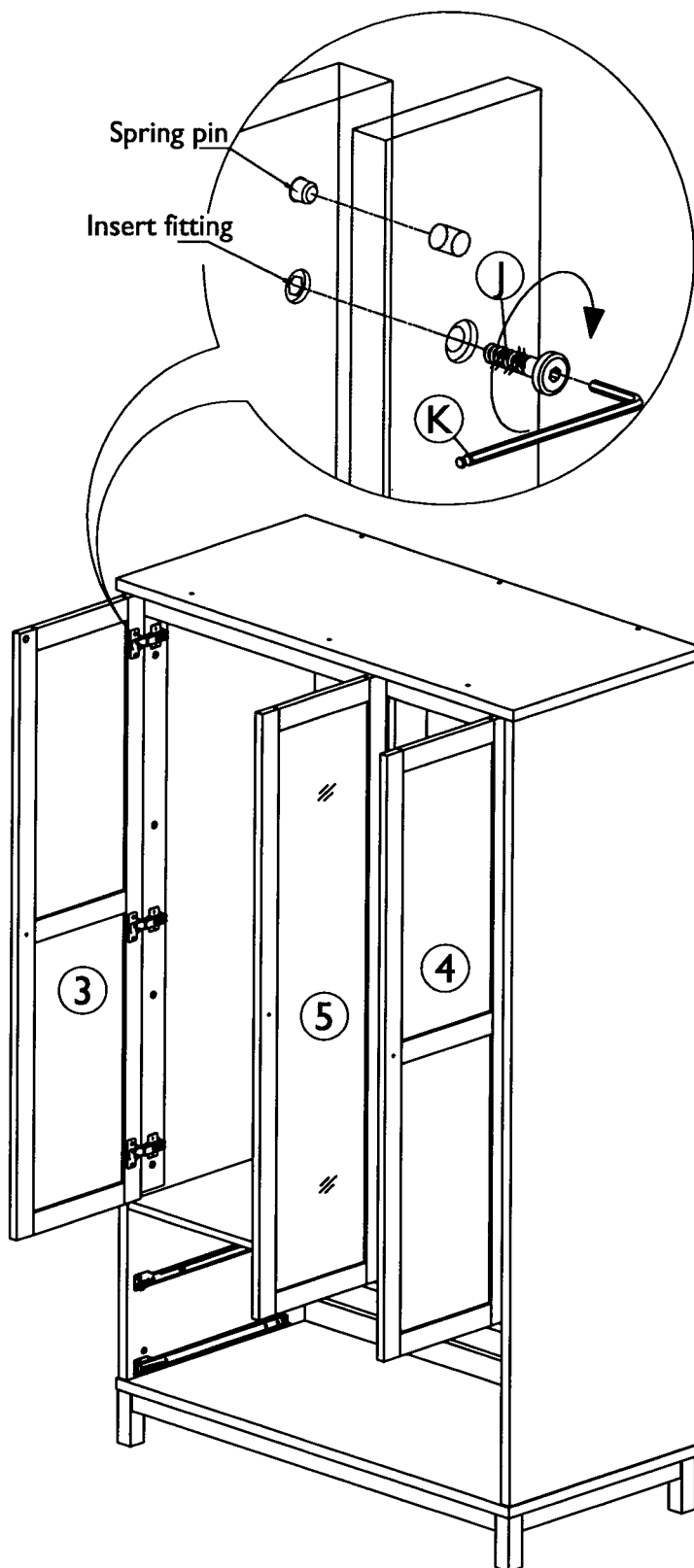
Fitting



J x 12



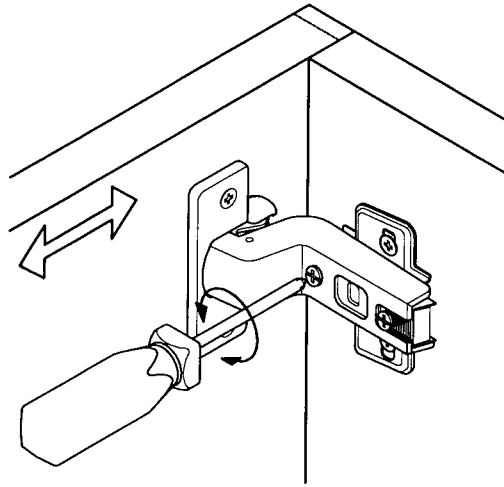
K x 1



HINGE ADJUSTMENT INSTRUCTIONS

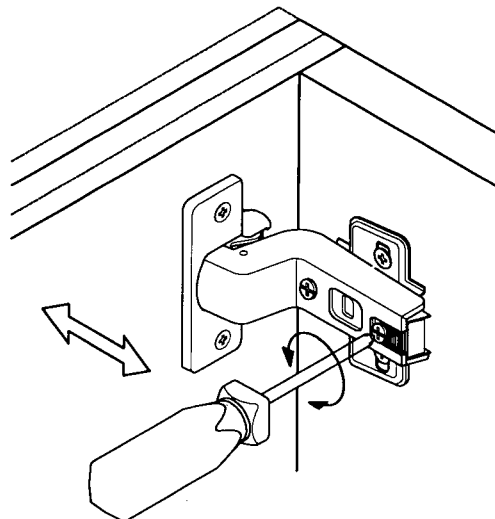
LATERAL ADJUSTMENT

by screw adjustment.



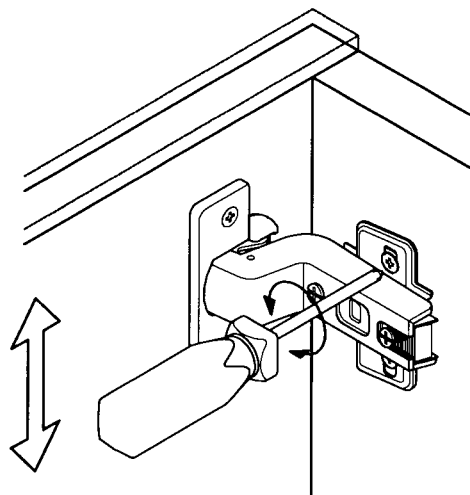
FRONT-TO-BACK

by slackening and retightening the hinge-arm mounting screw.



VERTICAL ADJUSTMENT

via slots on mounting plate by slackening and retightening the screws on mounting plate



Step By Step Assembly Instructions

- Step 13** 13.1: Attach 3x handles (L) to door (3), (4) & (5) using 3x round head bolts (M) as shown. Use a screwdriver to turn fittings (M) clockwise to fix.
- 13.2: Attach 9x hinge cover caps (V) onto all hinge arms. Push to clip on as shown.
- 13.3: Stick 1x door bumper (W) on right door (4) as shown.

Fitting



L x 3



M x 3

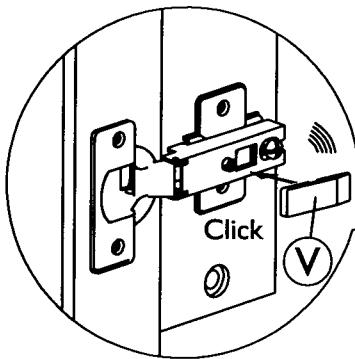
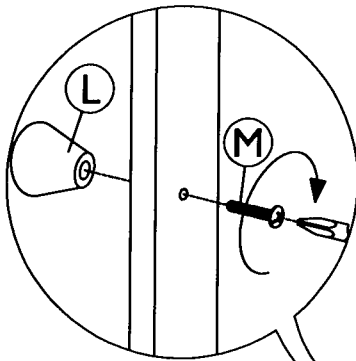


V x 9

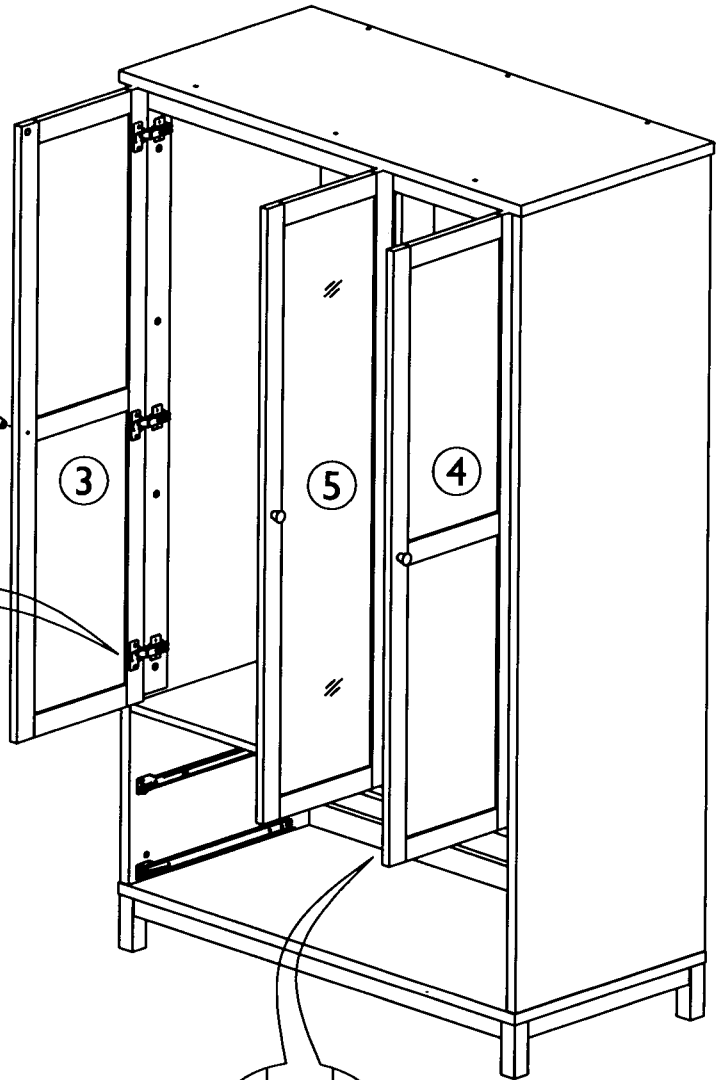


W x 1

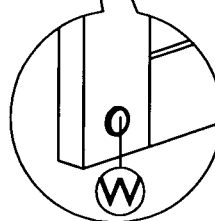
Step 13.1



Step 13.2

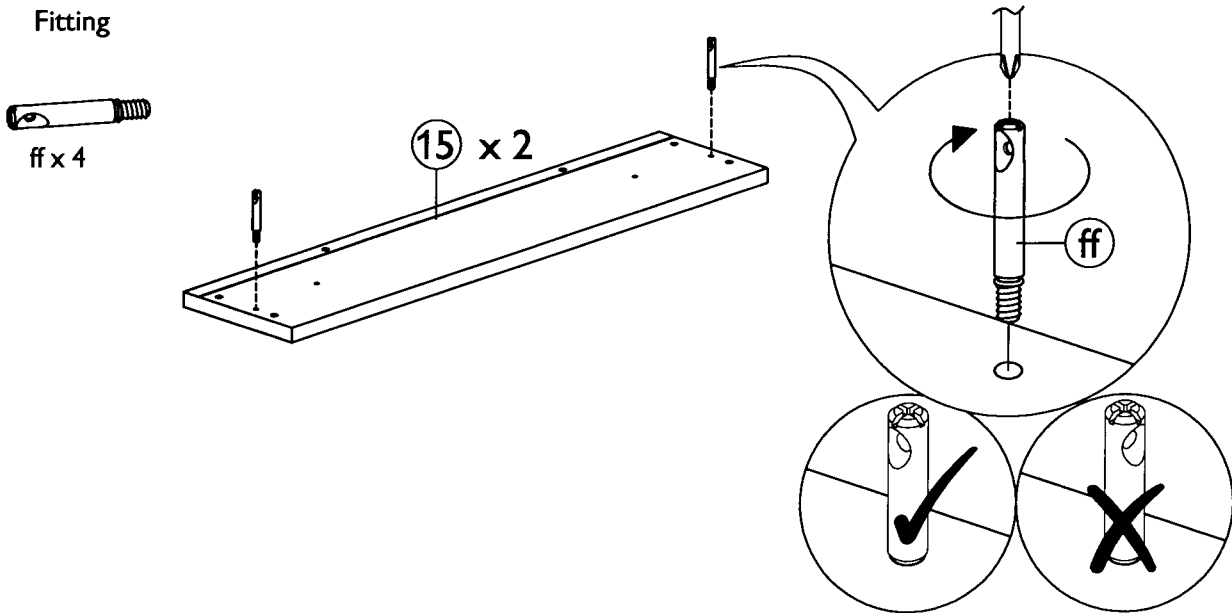


Step 13.3

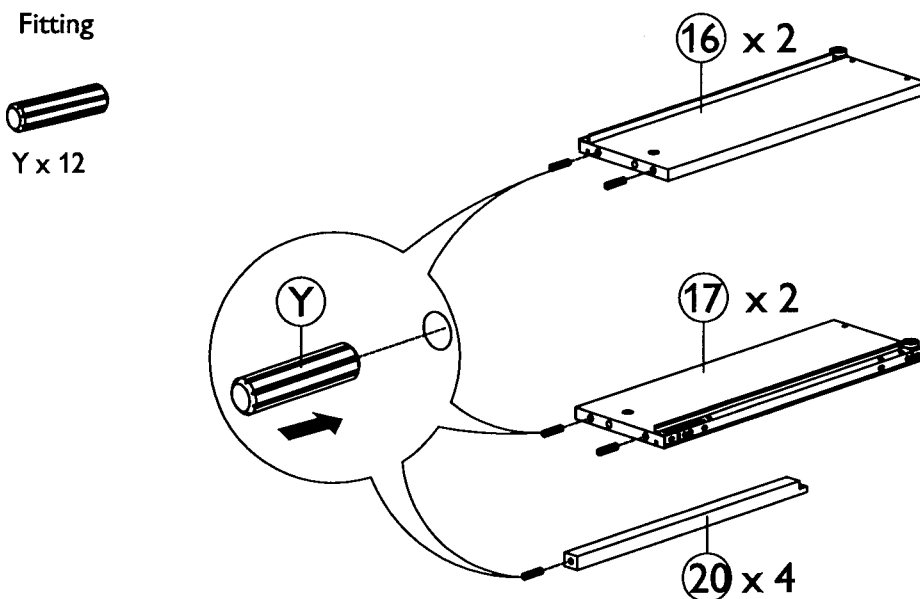


Step By Step Assembly Instructions

Step 14 : Attach 4x steel dowels (ff) into the pre-drilled holes on drawer fronts (15) as shown. Ensure the direction of the holes on fittings (ff) are facing correctly as per diagram. Use a pozi screwdriver to turn fittings (ff) clockwise to fix.



Step 15 : Insert 12x dowels (Y) into the pre-drilled holes on drawer sides (16), (17) and support drawer (20) as shown.



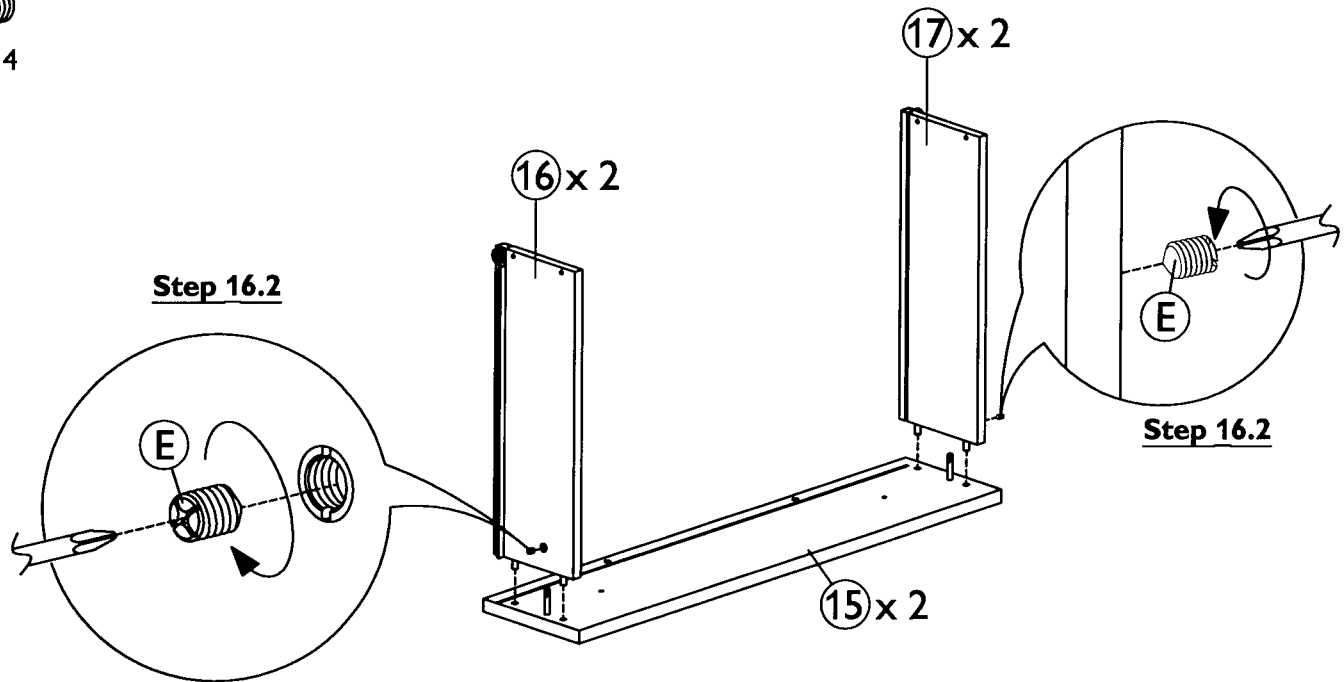
Step By Step Assembly Instructions

- Step 16** 16.1 : Attach drawer sides (16) & (17) to drawer front (15) as shown. Ensure steel dowels (ff) and dowels (Y) are aligned correctly with the holes of mating parts before attaching.
- 16.2 : Secure drawer sides (16) & (17) to drawer fronts (15) using 4x grub screws (E) as shown. Use a screwdriver to turn fittings (E) clockwise to fix.

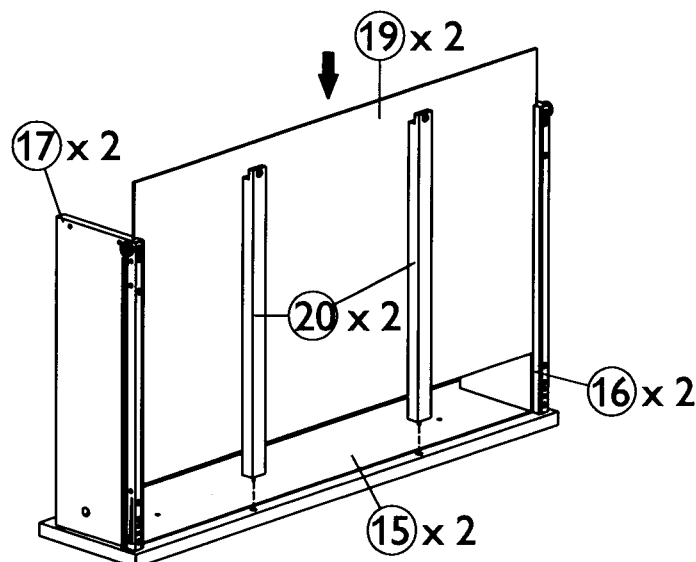
Fitting



E x 4



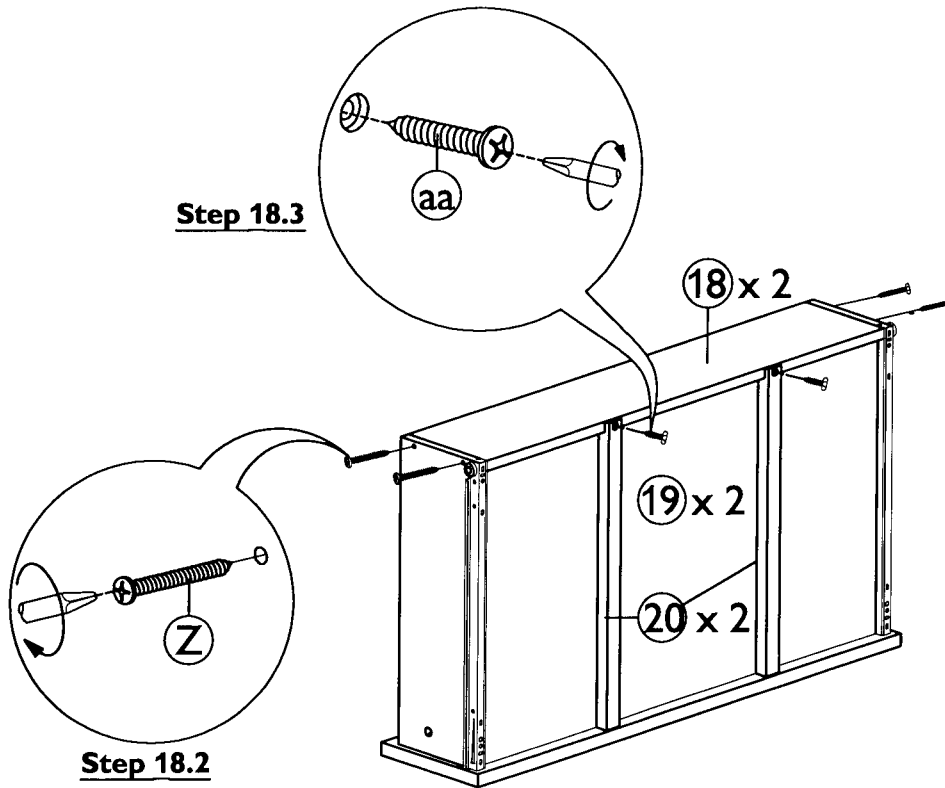
- Step 17** 17.1 : Slide drawer bottoms (19) into the slots inside drawer sides (16) & (17) as shown. Ensure the drawer bottoms (19) are placed completely in the slots of drawer fronts (15).
- 17.2 : Attach support drawers (20) onto drawer fronts (15) as shown.



Step By Step Assembly Instructions

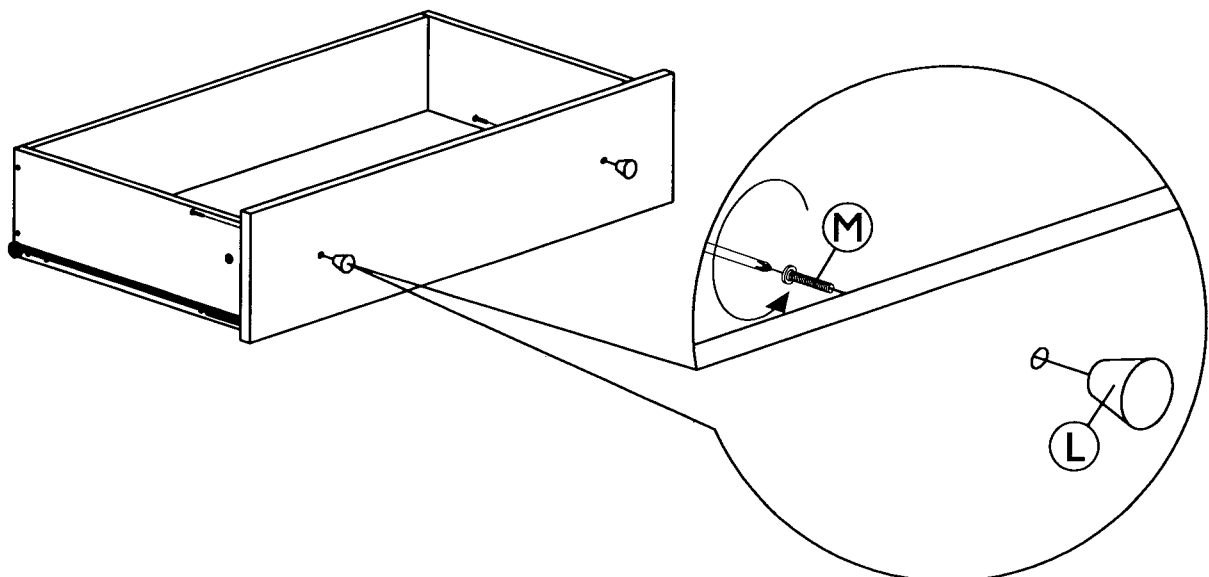
- Step 18**
- 18.1: Place drawer backs (18) onto the top of constructed drawer boxes. Ensure the slots under backs (18) are aligned correctly with drawer bottoms (19) before attaching.
- 18.2: Secure drawer backs (18) to the drawer boxes using 8x round head screws (Z) as shown. Use a screwdriver to turn fittings (Z) clockwise to fix.
- 18.3: Secure support drawers (20) to drawer backs (18) using 4x round head screws (aa) as shown. Use a screwdriver to turn fittings (aa) clockwise to fix.

Fitting



- Step 19** : Attach 4x handles (L) to drawer fronts (15) using 4x round head bolts (M) as shown. Use a screwdriver to turn fittings (M) clockwise to fix.

Fitting



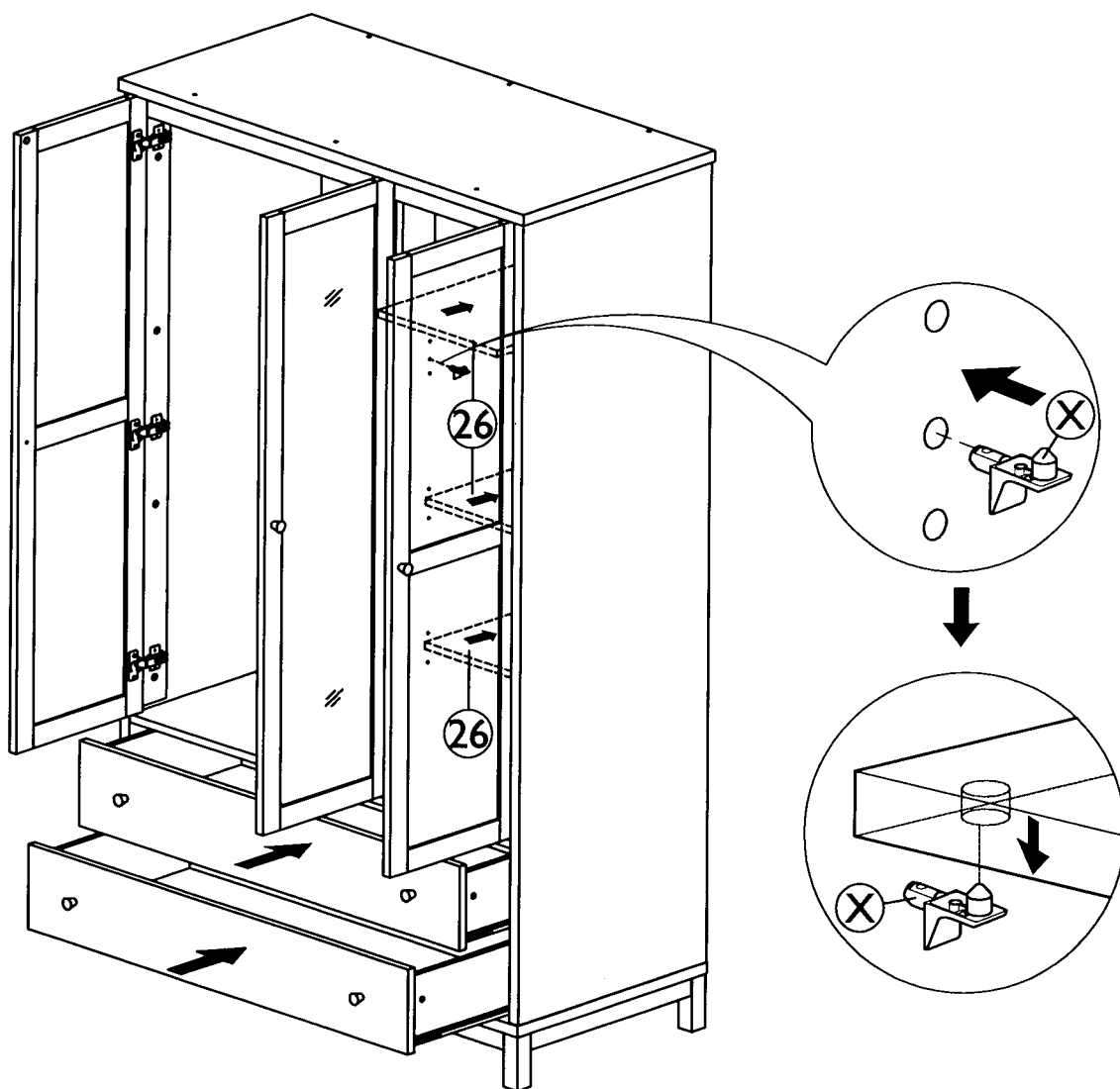
Step By Step Assembly Instructions

- Step 20**
- 20.1: Insert the assembled drawers into the unit as shown.
 - 20.2: Insert 12x wood shelf supports (X) into the pre-drilled holes inside the unit as shown.
 - 20.3: Slide removable shelves (21) into the unit. Ensure the holes on removable shelves (21) are facing down, then place removable shelves (21) onto the pins of wood shelf supports (X) as shown.

Fitting



X x 12



Assembly is complete

TIP KIT INSTRUCTIONS

Notice:

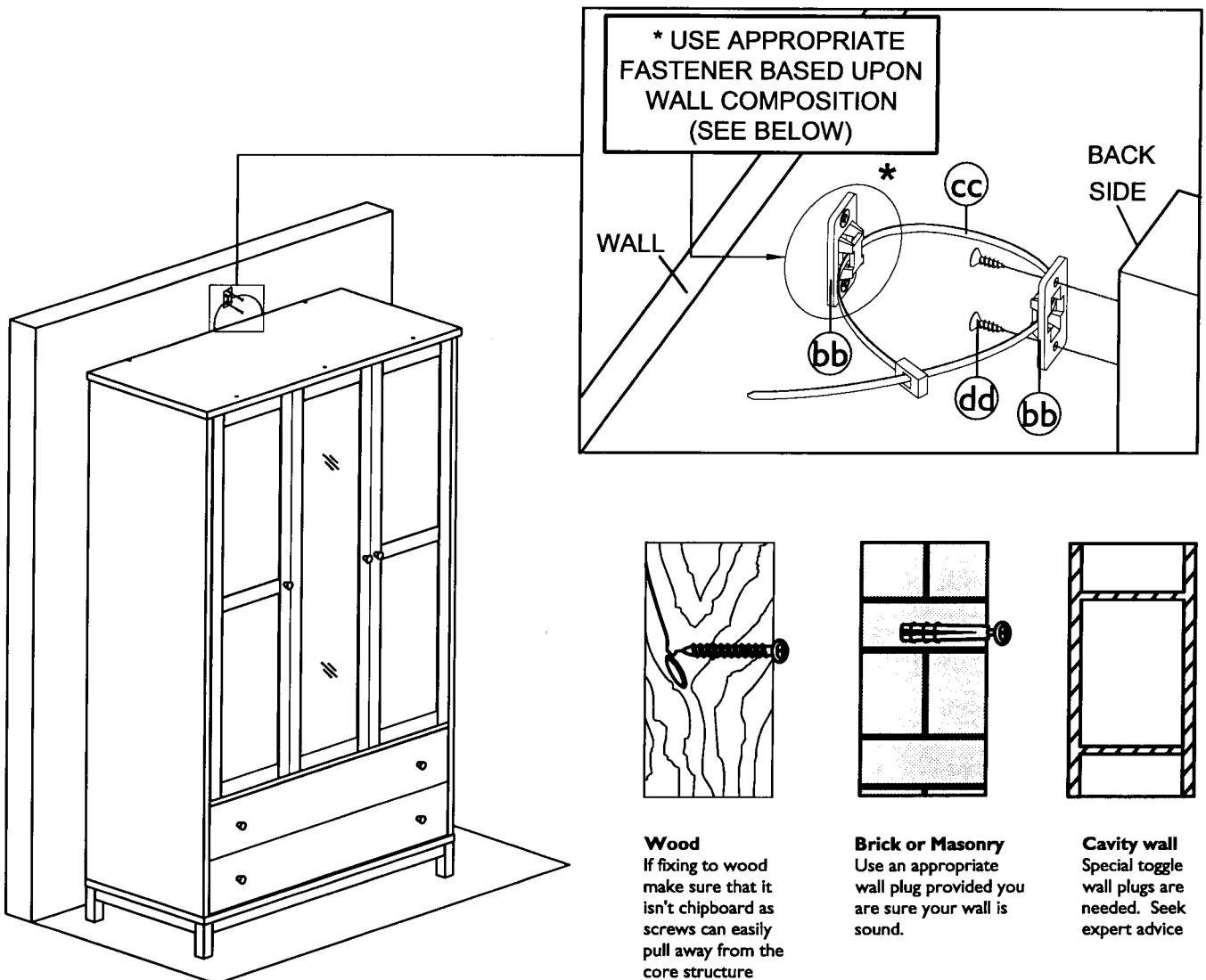
Notice: To prevent injury and property damage from unexpected tipping of furniture, we highly recommend installation of the anti-tip kit included with this product.

Attaching furniture to wall with anti-tip kits

1. Determine where the piece is to be placed and mark location on the wall for the mounting bracket screw holes. They should be placed approximately 1" below the top on the back of the piece of furniture.
2. Drill the hole and use the appropriate wall plug that is suitable for your walls composition.

Warning: Before drilling check wall for hidden pipes and cables.

3. Attach the mounting bracket vertically to the wall using appropriate fastener, through the holes in the bracket and 2 wall plugs that are suitable to your wall and then tighten securely.
4. Next using the short screws attach the 2nd bracket to the back of the piece of furniture's top.
5. Lace the nylon strap down through the brackets. Slide the thin end of the strap through the receiving end on the nylon strap. Pull to tighten the piece of furniture snug against wall.



CARE INSTRUCTIONS:

1. Hardware may loosen overtime. Periodically check that all connections are tight and re-tighten as necessary.
2. Wipe with a soft, dry cloth. To protect finish, avoid the use of chemicals and household cleaners.

Care and Maintenance

Wood Furniture

Wood displays different grain patterns depending on which way they are cut - for example, the 'medullary ray' which can appear on oak furniture is a mark of good quality timber - these are just characteristics of the natural beauty of the wood.

Some furniture is also deliberately aged and rustic.

Wood veneers also allow distinctive patterns to be created on some surfaces, such as table tops and drawer fronts by the way slivers are arranged.

All timber and veneer surfaces will change colour and mellow over time. New furniture will initially vary in shade from items that have been previously purchased.

How to care for your wood furniture

Dust with a clean, damp, lint free cloth. Frequent dusting will remove abrasive build up, which can damage the finish over time.

Do not use a very wet cloth or allow any liquid to contact with the veneers for a long period of time as this can permanently damage the surface. Wipe up spills immediately.

Do not use any abrasive cleaner or harsh detergent as this can damage the surface of the furniture.

Spray polishes are best avoided as they contain silicones which may spoil the furniture's surface when building up over time.

Make sure all surfaces are protected from heat and liquids by mats and coasters.

Ensure that a mat or pad is placed under paper when you are writing on the furniture surface.

Do not place rubber, cork, vinyl or plastic materials on the wood finish as chemicals within may react with the finish if left in contact for an extended period of time.

Our furniture will endure most temperatures in the home but it is best to avoid placing furniture next to heat sources such as radiators or fires. Be particularly careful with solid wood as the lack of humidity caused by home heating can cause damage such as warping, cracking or splitting.

Excessive exposure to sunlight can cause fading of your furniture.

Avoid exposing your furniture to any liquids. All liquids should be wiped up immediately with a soft, slightly damp cloth in the direction of the wood grain. If sticky liquid residues do occur, they may be removed with a dilute solution of warm soapy water followed by a clean, damp sponge. The area should then be wiped immediately in the direction of the wood grain with a clean, soft white cloth until completely dry.

Nail polish remover, hairspray, perfume, potpourri & any other products that contains solvents can damage wood upholstery finishes.

Safety Instructions:

Never drag furniture when moving it. Always lift it.

Periodically check all fixings to ensure none have come loose. Re-tighten when necessary.

Please take care when handling or moving the furniture as careless handling may cause damage or injury.

Furniture can be dangerous if incorrectly assembled. Assembly should be carried out by a competent person.

No liability will be accepted for damage or injury caused by incorrectly installed or assembled furniture.

Heavy item warning:

It is recommended to seek assistance when moving a heavy object. Take care when lifting to avoid personal injury and (or) damage to the product.

It is recommended that before moving a heavy object to a new location it is completely dis-assembled to avoid personal injury or damage to the furniture. Please be careful to retain all fittings when doing this.

PLEASE KEEP THESE INSTRUCTIONS FOR FUTURE REFERENCE

ECR # IW 5474

R
6/6/13

MF
8/6/13